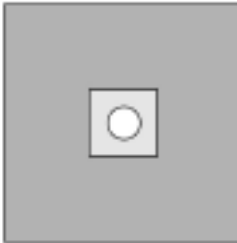


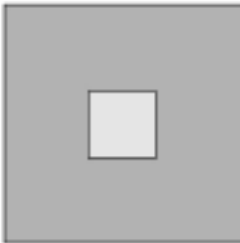


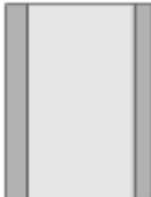
DRAPES & FLUID COLLECTION

Sterimedix drapes are offered in various sizes and materials and are suitable for the left or right eye. They are either waterproof or moisture resistant and the incise offers sufficient adhesive without being too aggressive on removal.

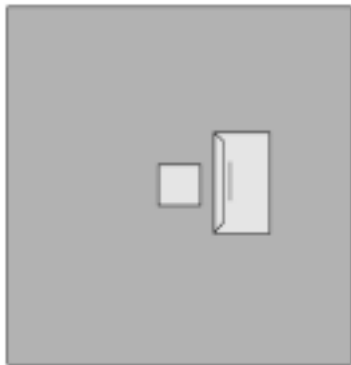
Code	Size & Description
------	--------------------

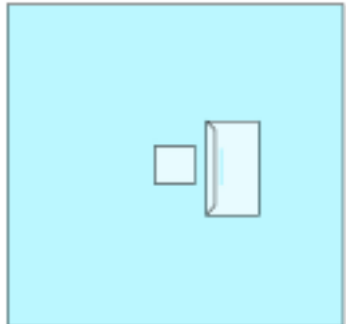
D1020	40cm x 40cm (16" x 16") Aperture Drape. Flexible Polymer Incise Area: 110 x 110mm Aperture: 65mm diameter	
-------	--	--

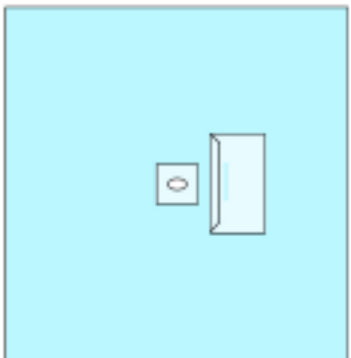
D1021	40cm x 40cm (16" x 16") Incise Drape. Flexible Polymer Incise Area: 110 x 120mm	
-------	---	---

D1035	15cm x 20cm (6" x 8")	Mini Incise Drape	
-------	--------------------------	-------------------	---

Code	Size & Description
------	--------------------

D1061	122cm x 127cm (48" x 50") Incise Drape with Fluid Collection Pouch. Flexible Polymer Incise Area: 110 x 120mm	
-------	--	--

D1062	122cm x 127cm (48" x 50") Incise Drape with Fluid Collection Pouch. Non-woven Incise Area: 110 x 120mm	
-------	---	---

D1063	122cm x 127cm (48" x 50") Aperture Drape with Fluid Collection Pouch. Non-woven Incise Area: 110 x 120mm Aperture : 44 x 75mm	
-------	--	---